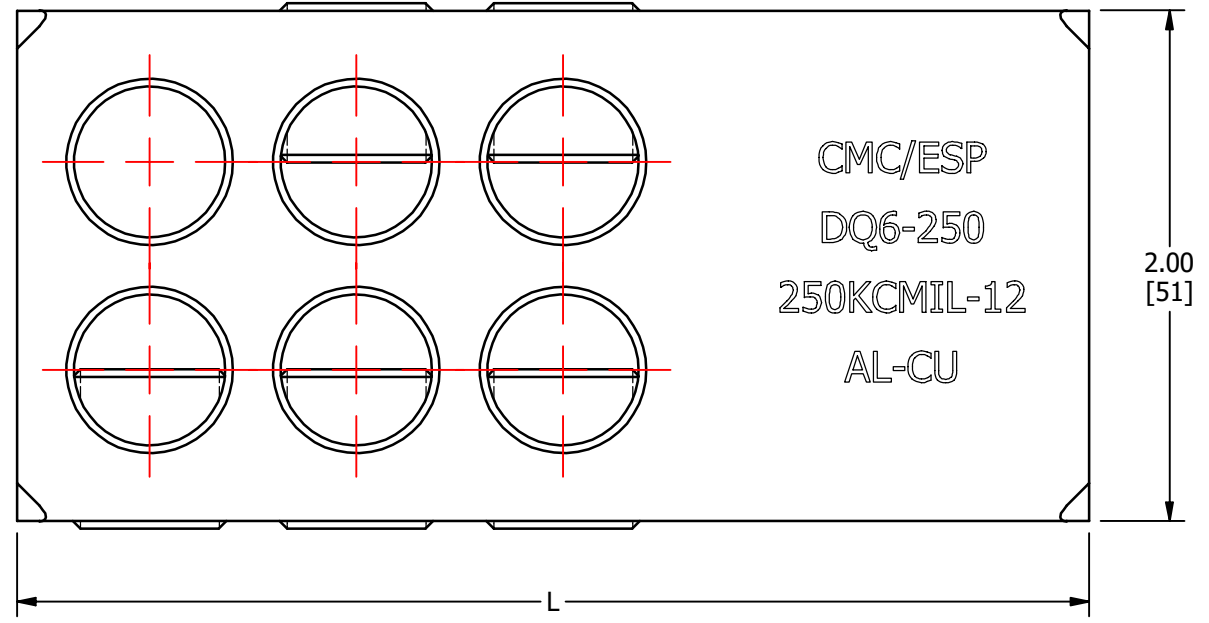
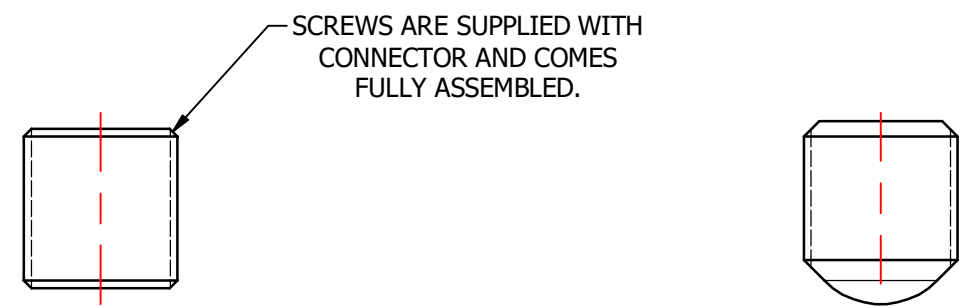
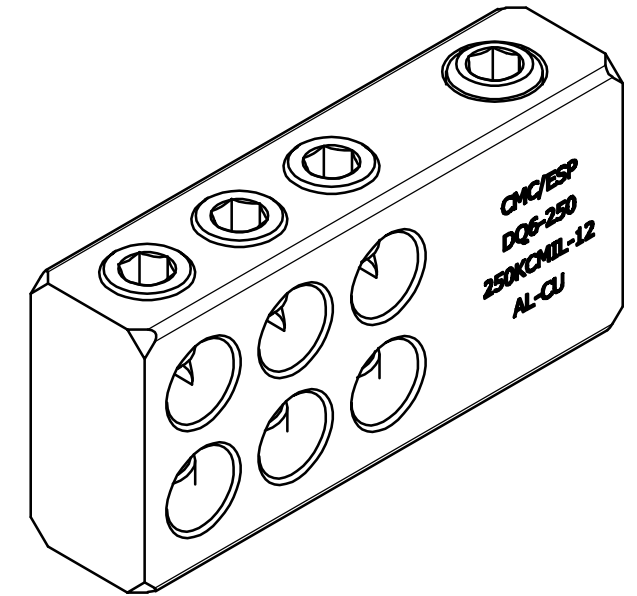
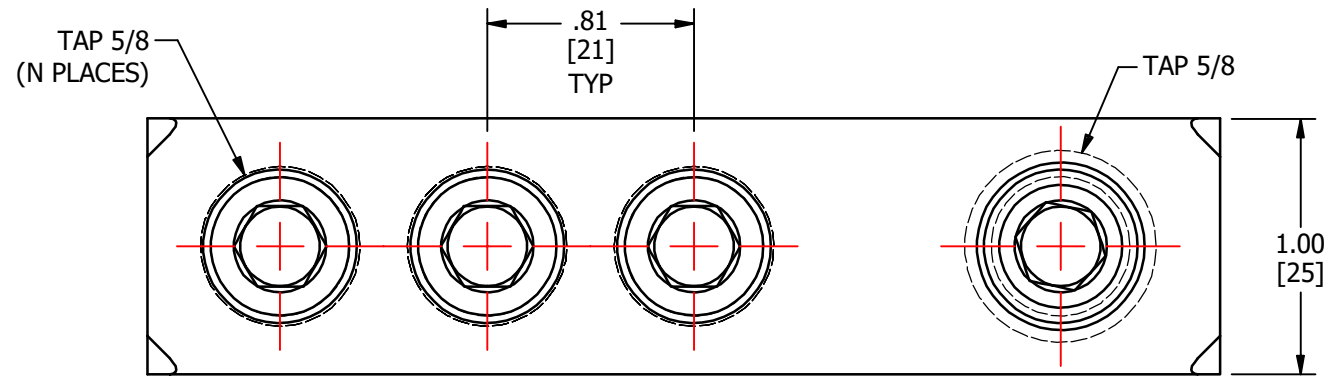
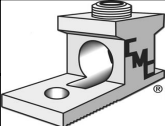


S.NO	CATALOG NUMBER	L	N
1	DQ8-250I	4.20 [107]	6
2	DQ6-250I	5.01 [127]	8



FINISH: CLEAR PLATE
MATERIAL: ALUMINUM

			TO ORDER CMC PRODUCTS		DRAWN BY: TS		NAME OF PART:		CAT. NO.:	
			UNITED STATES 1-513-860-4455		08-14-20		STUD MOUNT CONNECTOR		SEE TABLE	
			CANADA 1-800-361-6975		CHECKED BY:		DWG NO:		B	
			MEXICO 011-52-722-265-4400				U08498039I-S (CHARTED)			
A NEW DRAWING CREATED			08-14-20		TS		DRAWING NOT TO SCALE		SHEET NO: 1 OF 1	
REV.	DESCRIPTION	ECN	DATE	INIT.	FOR PRODUCT INFO www.cmclugs.com					

THIS INFORMATION IS PROPRIETARY TO CONNECTOR MFG. CO. AND IS NOT TO BE DISCLOSED OUTSIDE OF CONNECTOR MFG. CO. WITHOUT A CONFIDENTIALITY AGREEMENT

CONNECTOR MANUFACTURING CO.

HAMILTON, OHIO